

Dry Well Sensor Housing

The SEN-TN-DW_C is a hollow stainless-steel housing intended for threaded insertion into water pipes and liquid vessels. A temperature sensor is then inserted into the dry cavity to measure the temperature of the pipe or tank contents.



Applications



The SEN-TN-DW_C can be used in place of wet well temperature sensors.

Once fitted, a temperature sensor can be inserted and removed without the need for draining the contents of the pipe or tank.

The dry well is designed to fit Argus TN series sensors (please refer to the Data Sheet: SEN-TN)

Alternatives

This part is intended as a replacement for wet well sensors. It is also available as part of a complete assembly that includes a temperature sensor, a junction box, and stainless fittings, and a packet of heat transfer compound. Please refer to the data sheet for part number SEN-TN2-DW.

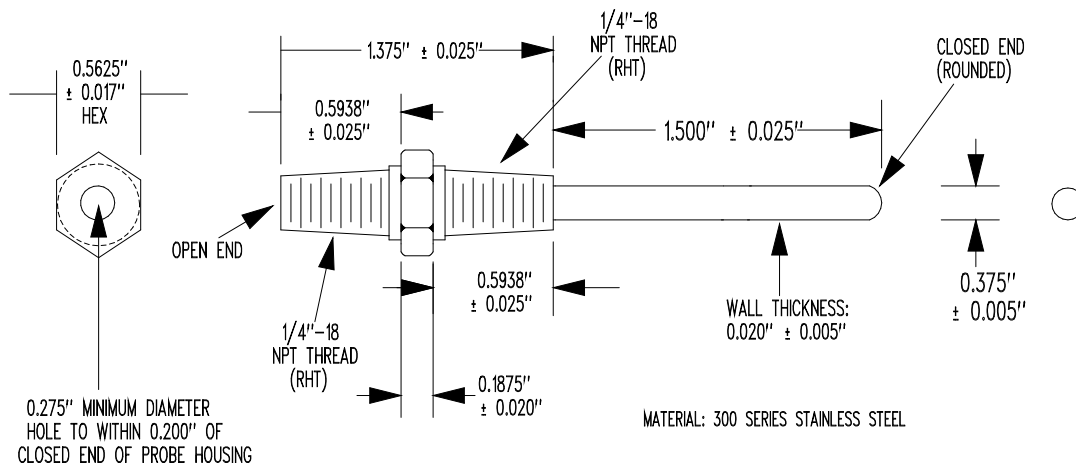
Features

- Type 300 Stainless Steel construction.
- Dry well permits replacement of sensors without the need for draining the system.
- Threaded for easy placement in existing threaded wet well locations.

Specifications

Materials	Type 300 Stainless, PVC
Coupler	1/4" PVC
Connector	1/4" water tight PVC
Heating Conducting Compound	Silicone Heat Transfer Compound
Dry Well Thread	1/4" Male NPT

Construction Details



Additional Information



For more information, please contact Argus.