

Titan 2 Basic Controller in Enclosure

This assembly consists of a Titan 2 Controller Board connected to a Controller Backplane mounted in a white powder-coated aluminum enclosure. An I/O Power Supply and power transformer are also included.



Applications



Titan controllers are specially designed processor units for data acquisition and automated control of bio-production environments including greenhouses, conservatories, nurseries Growth chambers and recirculating aquaculture systems.

Custom applications are configured for sustaining complex life support environments including the management of air, soil, nutrient, and aquatic conditions.

Alternatives

An **Access Point** controller assembly (Argus part number **TC-AP/C**) is always the first controller used on the system. Basic controllers can also be mounted in larger panels along with other Argus components (see Argus Part Number **TC-BC/RCP**).

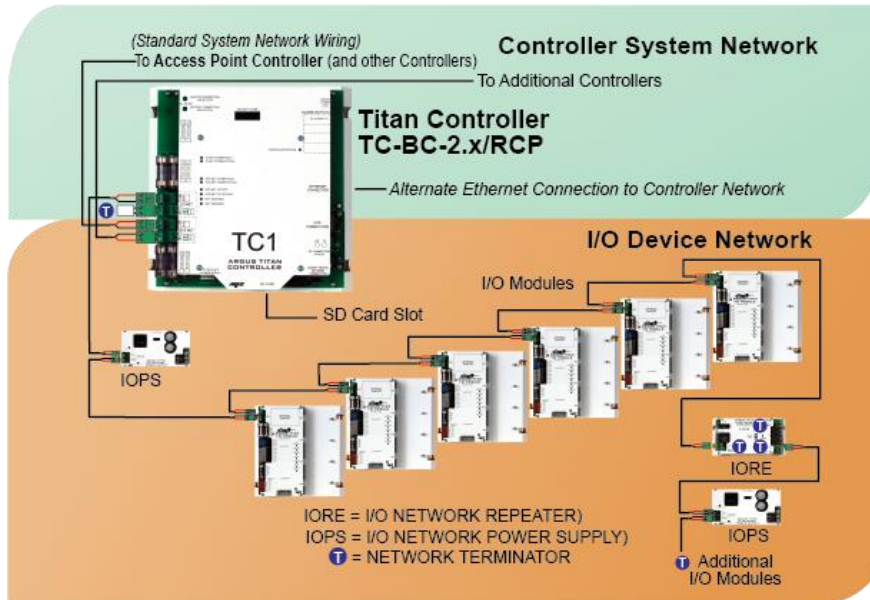
Features

- **High Capacity** – Each controller can manage dozens of independent control processes and a large number of connected I/O devices.
- **Ethernet Port** – Controllers can be connected using standard Argus network wiring or CAT5 Ethernet. Mixed Argus System Network/Ethernet environments are supported to accommodate more flexible wiring topologies. Wired and wireless Domain Bridging can be configured for connecting controllers and groups of controllers in situations where physical or logistical impediments prevent the use standard Argus network wiring. In such cases, new or existing Ethernet pathways can be substituted. The Ethernet port also provides a high-speed connection from the Access Point controller to the Argus Server PC.
- **SD Card Slot** – A removable high capacity SD card slot (4-32 GB) with an included 4 GB SD card is provided for additional on-board buffering of recorded data. This helps prevent loss of recorded data during network interruptions and whenever the Argus Server PC is off-line. Plug-in memory also enables easy firmware updates and board replacements.
- **Flash Memory** – Controllers can receive firmware revisions or updates from any local or remote operator workstation.
- **Fully Programmable** – An extensive depth of control settings and options is provided.
- **Distributable** – Controllers can be distributed throughout the operation for ease of peripheral wiring.
- **Diagnostics** – Continuous self-diagnostics, communication diagnosis, and monitoring of all slaved components for maximum safety and reliability.
- **Easy Installation** – No-wire 'Plug & Run' module replacement courtesy of the included backplane that accommodates all external connections.
- **Independent Operation** – Peer-to-peer communications between controllers ensures independent operation.
- **Backwards Compatible** – Earlier Argus control system hardware is supported via a legacy communications port.
- **LED Status Indicators** – Used to indicate proper wiring and network operation.

Specifications

Panel Dimensions	Dimensions: 23" x 18.25" x 4.5" NEMA Type 4X and UL/CSA Type 12. *We recommend following local electrical codes as applicable. Modular quarter-turn latches are included with an option to swap these out for key lock and non-key lock handles.
Power Consumption	3.75 Watts @ 24VDC (via Titan I/O Power Supply)
Data Storage Memory Backup Power	Lithium battery will hold up memory for approximately 2 years without power (settings are automatically reloaded on power-up)
Program Execution	All programs are executed once each second
Maximum linked controllers per system	64 (more if domain bridging is used)
Program Capacity	Up to 255
Program Storage Memory	4 MB (Flash) + 1 MB (Fast RAM)
Data Storage Memory	1 MB (RAM)
Removable Memory	SD Card Slot (a 4 GB SD card is included)
Power and Data Connections	All connections except Ethernet are provided via the included backplane. Argus part number CAB- 2C18G/TITAN (West Penn Wire - AQ224): a 2-conductor 18AWG UV and moisture resistant cable suitable for indoor/outdoor use and is direct burial and wire tray-rated. NO SUBSTITUTIONS – USE OF THIS EXACT WIRE IS CRITICAL FOR PROPER NETWORK COMMUNICATION Note: Controllers can also be connected via CAT5 Ethernet pathways. The I/O Device Network must use the Aquaseal AQ224 Cable.
Controller System Network and I/O Device Network Wiring	

Wiring Details



Example Configuration - for installation, always refer to the custom wiring diagrams supplied with each system.

Additional Information

For more information, please contact Argus.

