

D1S 2-Speed Output Relay Board

The Argus **D1S Output Relay Module** uses two **Form A** (normally Open) relays for digital control of a single two-speed device connected to a **Titan IO Module**.



Applications



The Argus D1S Output Relay Module provides separate interlocked HIGH and LOW signals for control of a two-speed fan. It provides dry contact switching only, or Class 2 low voltage signals through an external power supply (see the wiring diagrams on the next page).

Alternatives

Argus provides a full range of output relay modules for controlling analog and digital equipment including Form A and Form C switching, tri-State floating, and analog current, voltage, and frequency output. Contact Argus for further details.

Features

- **Safe** – Low voltage control circuits pose no shock hazard.
- **Status Indicators** – LEDs indicate controller signal status.
- **Manual Override Capability** – Built-in manual overrides for testing or emergency operation.
- **Easy to Install** – Simple plug-in connection to IO Module and secured by a single screw.
- **Built-In Board Protection** – Varistors across the output contacts reduce arcing, thereby extending contact life.
- **Equipment Protection** – Relays are electrically interlocked to prevent activation of both high and low contacts at the same time.

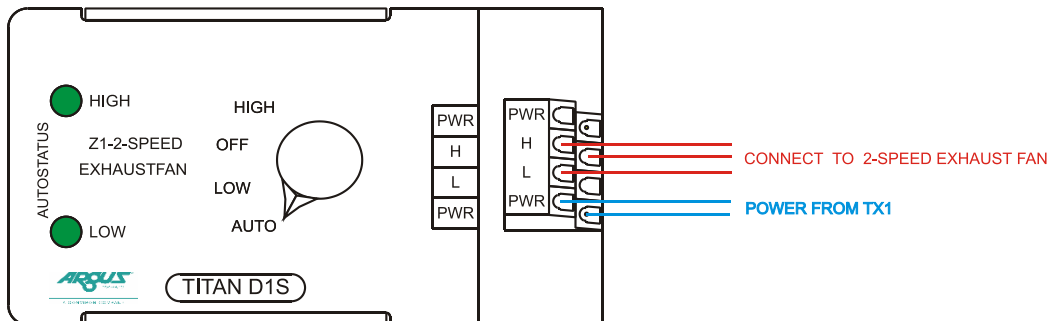
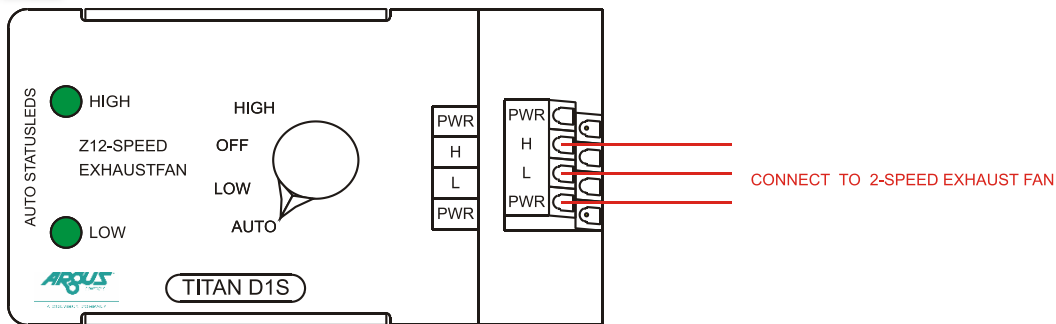
Specifications

Dimensions	4" x 2" x 1 1/2" (length x width x height)
Ampere Rating	3.2 amps @ 24V or 5 amps at 12V (AC or DC) (Class 2)
Devices controlled	2-speed devices compatible with High/Low signals
Isolation	5000 volts between field wiring and central computer
Line voltage loads	Use external relays or contactors with 24V coils
Terminal Block	Double-deck PCB terminal block; 2.5 mm ² ; CAGE CLAMP®
Wiring	Fine-stranded conductor 0.08 ... 2.5 mm ² / 28 ... 12 AWG

Wiring Details



Customer must provide an independent control power supply, sized and fused for the applicable loads (within Class 2 electrical ratings).



Typical Wiring Configuration
For installation, refer to the custom wiring diagrams supplied with each part.

Additional Information

For more information, please contact Argus.

