

## Form C Digital Output Relay Board

The Argus Titan **TTN-D2C-1.0/C** Output Relay Board connects to a **Titan I/O Module** providing two Form C relays for digital control of two independent output devices.



### Applications



The **TTN-D2C-1.0/C** Output Relay board can control up to 2 digital devices.

Example applications include powered open/close valve actuators, as well as normally open and normally closed circuits.

Contacts are dry with provision for external Class II power input for switching and delivery to the load(s).

### Alternatives

Use the **TTN-D2-1.0/C** for 'Form A' normally open contact applications and to operate external 'Form C' relays in situations where full isolation is required or the application requires larger loads than the TTN-D2C ratings. Argus provides a full range of output relay boards for digital and analog equipment control. Contact Argus for details.

### Features

- **Dual Relays** – Two independent relays per module.
- **Safe** – Low voltage control circuits pose no shock hazard.
- **Status Indicators** – LEDs indicate controller signal status.
- **Manual Overrides** – Built-in manual overrides for testing or emergency operation.
- **Built-In Board Protection** – Varistors across output contacts reduce arcing, thereby extending contact life.
- **Easy to Install** – Simple plug-in connection to I/O modules and secured by a single screw.

## Specifications

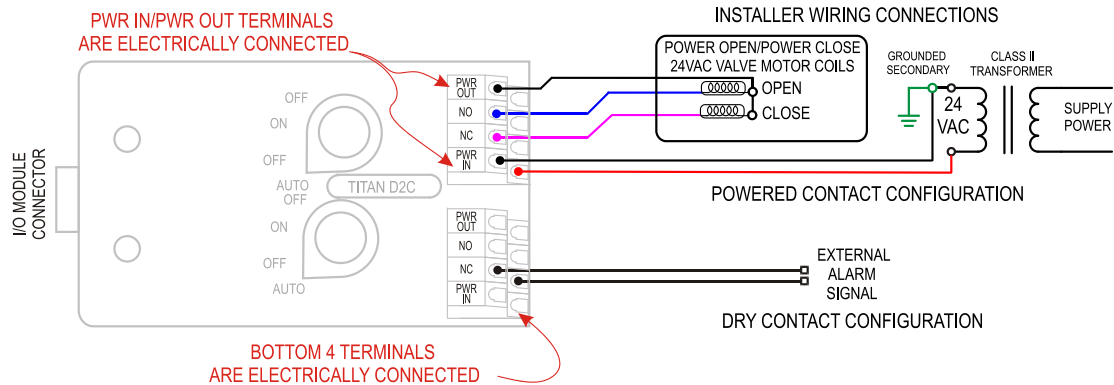
<b>Dimensions</b>	3" x 2" x 1.5" (length x width x height)
<b>Maximum Contact Rating</b>	3 amps @ 24V (AC or DC) (Class II)
<b>Power Supply</b>	Power for board operation is supplied by the connected Titan I/O Module. Power for field loads must be provided externally*
<b>Devices Controlled</b>	up to 2 independent devices
<b>Isolation</b>	5000 volts between field wiring and central computer
<b>Terminal Blocks</b>	Double-deck PCB terminal block; 2.5 mm <sup>2</sup> ; CAGE CLAMP®
<b>Wiring</b>	Fine-stranded conductor 0.08 ... 2.5 mm <sup>2</sup> / 28 ... 12 AWG

\*Output Relay Board has **dry contacts only**. For powered contact configurations, an independent control power supply (such as the Argus RM-2TX75) must be provided, sized and fused for the applicable loads.



**CONTACTS ARE NOT RATED FOR LINE VOLTAGE LOADS. USE EXTERNAL RELAYS OR CONTACTORS WITH 24V COILS**

## Wiring Details



Typical wiring example. For installation, refer to the wiring diagrams, examples, and instructions supplied with each part.

## Additional Information

For more information, please contact Argus.

